

BRS001

50GHz Wideband Frequency Synthesiser

Applications

- Stepped local oscillator source
- Upconverter/downconverter systems
- EW receivers

Key Features

- Wideband 100MHz-40GHz or 100MHz-50GHz frequency range with kHz resolution
- Small outline
- Low power consumption
- Contact factory for different options

Specifications

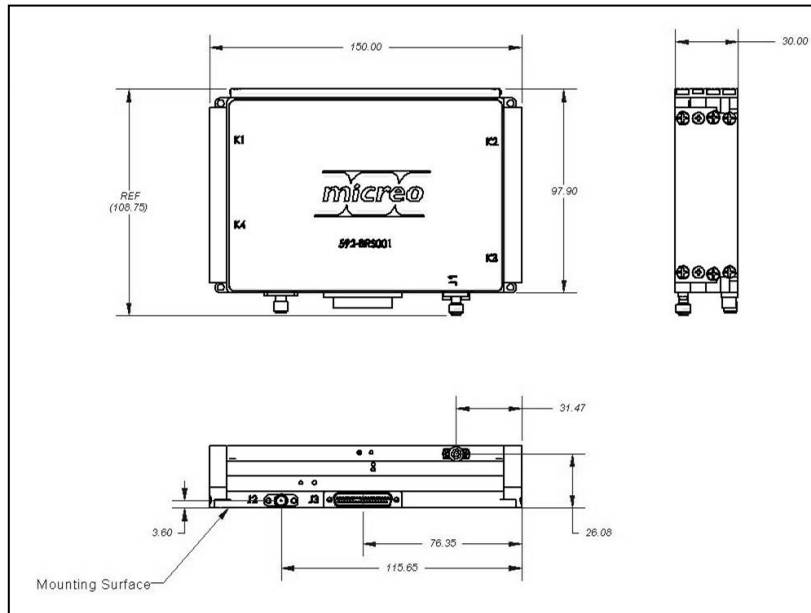
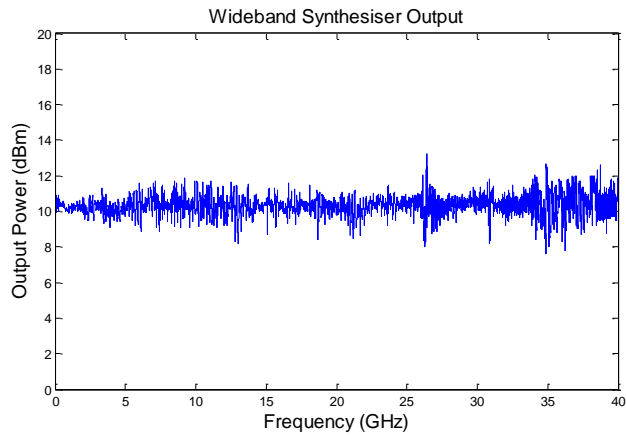
Output Frequency Range:	100MHz-40GHz or 100MHz-50GHz
RF Output Power Level:	>10dBm
Spurious Suppression:	<50dBc; <20dBc for output harmonics
Settling Time:	<750µsec between any two frequencies
Reference Input:	100MHz
Power Supply:	+12V / 750mA +5V / 600mA -12V / 250mA

Phase Noise – dBc/Hz

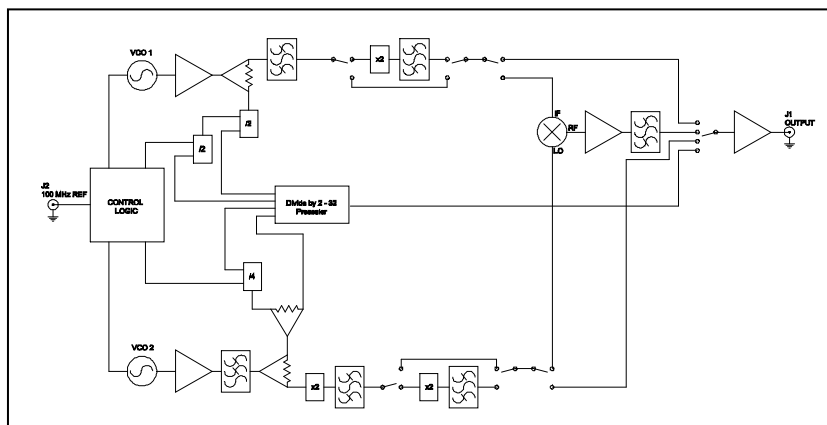
Offset (kHz)	Carriers up to 10GHz	Carriers 10-18GHz	Carriers above 18GHz
0.1	-65	-60	-5
1	-70	-65	-60
10	-75	-70	-65
100	-80	-75	-70
1000	-85	-80	-75

RF Output Connector:	2.4mm
Reference Input Connector:	SMA
Supply & Control Connector	37 pin Micro-D
Frequency Selection:	Direct load
Operating Temperature:	-40°C to +71°C base plate
Storage Temperature:	-65°C to +85°C
Dimensions:	See Drawing
Weight:	1kg maximum





Unit Outline



Block Diagram



Micreo
one step ahead

L3 Micreo
7 Hi-Tech Court,
Brisbane Technology Park,
Eight Mile Plains, QLD 4113
Australia

T: +61 7 3340 6200
F: +61 7 3340 6201
E: sales@micreo.com
www.micreo.com
ABN 11 098 350 479

Ordering information:

592-BRS001-40G Wideband Synthesiser (40GHz)
592-BRS001-50G Wideband Synthesiser (50GHz)

Please contact us for more information.

L3 Micreo reserves the right to amend specifications in the light of continuing development.
©2016 L3 Micreo Issue date: December 2016