



BQA012

RF Signal Selector

The BQA012 is a broad band signal selection device intended to be used for band defining at RF front end of a broad band RWR/ESM receiver. It features highly selective low loss Suspended Stripline filters which accept signals from the systems antennas in 2-8 and 8-18GHz bands. The signals are output to the receiver chain which may comprise DLVA and IFM or SHR. Micreo manufactures a family of receiver building blocks that may be cascaded for this purpose.

Applications

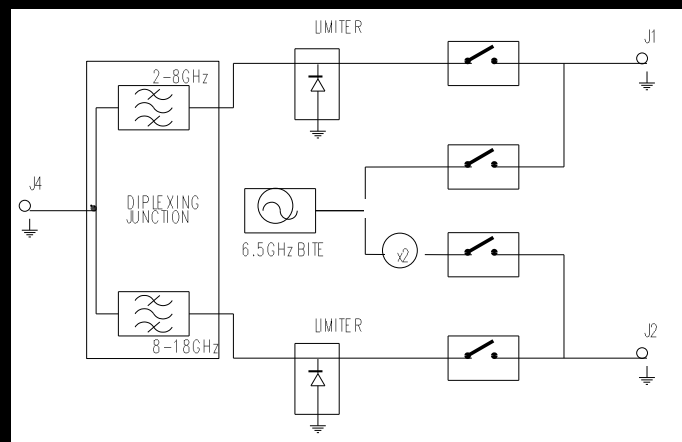
- EW receivers

Key Features

- EW building block designed for fixed wing fighter or attack helicopter environments.
- Fully integrated with other Micreo EW building blocks.
- Built-in limiter protection.
- Selectable inputs for signal, BIT oscillator or wideband noise.

Specifications

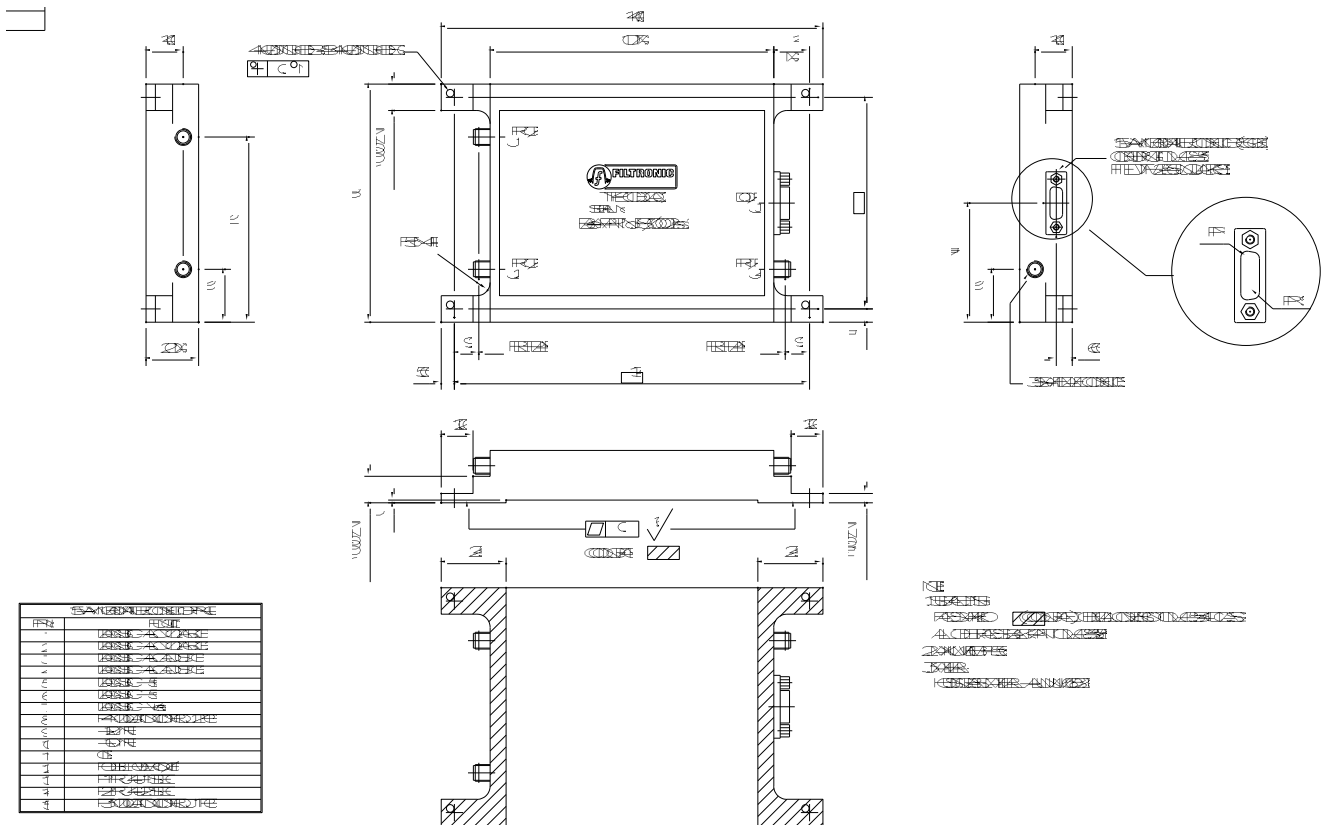
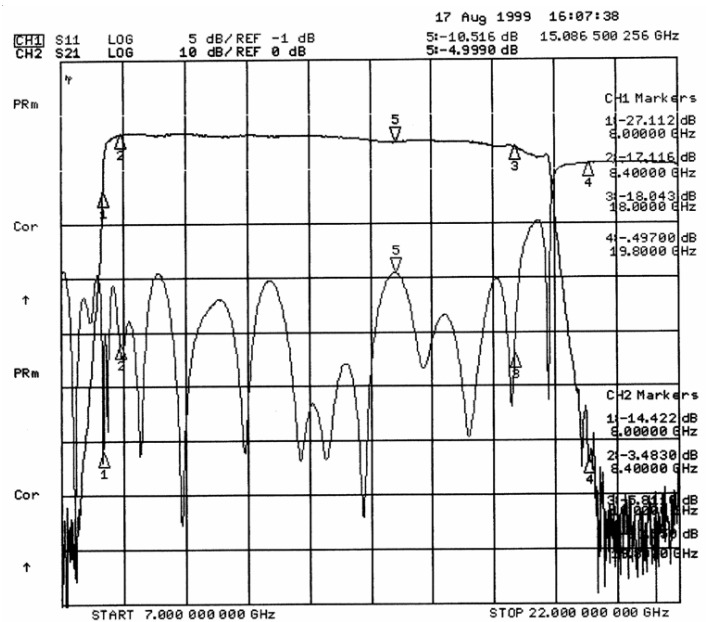
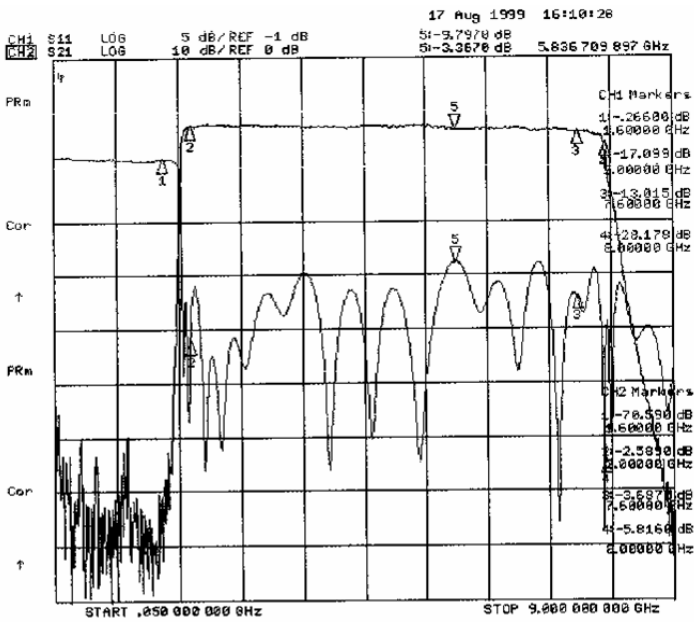
Frequency:	J4-J1: 2-8GHz J4-J2: 8-18GHz
Stop Bands:	10% from band edges
Stop Band Isolation:	60dB
Insertion Loss:	6dB maximum
Population tracking:	1dB
Peak Power Protect:	200W 1 microsec PW 0.2% duty
BITE:	6.5GHz and 13GHz $\pm 0.5\%$
Operating Temperature:	-54°C to +85°C
Built to withstand Military Spec operating conditions Operational flight tested	



RF Block Diagram



Micreo
one step ahead



L3 Micreo
 7 Hi-Tech Court,
 Brisbane Technology Park,
 Eight Mile Plains, QLD 4113
 Australia

T: +61 7 3340 6200
 F: +61 7 3340 6201
 E: sales@micreo.com
 www.micreo.com
 ABN 11 098 350 479

Ordering information:

592-BQA012 RF Signal Selector

Please contact us for more information.

L3 Micreo reserves the right to amend specifications in the light of continuing development.
 ©2016 L3 Micreo Issue date: December 2016